



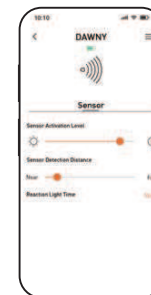
Easy & fast pairing with LUTEC
connect app



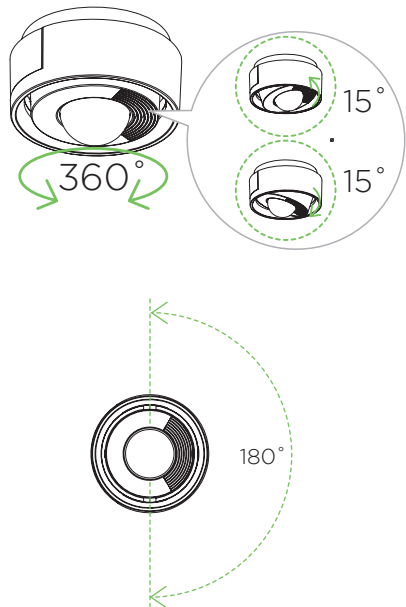
Install the LUTEC access box,
essential to make this motion
sensor linkable to any other
LUTEC **connect** light.



Adjust in the LUTEC
connect app,
Time, Twilight and Distance
settings



Create a group and combine
your LUTEC **connect** luminaires
with DAWNY.



dawny

accessories

Automatically control your outdoor
lights with DAWNY outdoor & indoor
motion sensor. Place the wireless, battery -
powered detector anywhere and trigger your
lights at any movement .
Versatile mounting options: Ceiling, Wall and
Corner.



smart lighting technology



9760002330

○ **BLACK**

CLASS III
IP44
2 x 1.5 V 1300mAh NiMH AA battery
Sensor
Plastic

