

Edge Bollard 90° + Edge Wall 90°

Technical details

- Cut-off led's luminaire 1000mm high rectangular shaped 125x90mm complete with flange for plinth/floor installation (Edge bollard 90°)
- Cut-off led's luminaires rectangular shaped 125x90mm complete with fixing bracket for wall mounting (Edge wall 90°)
- Polyester powder coating after specific weathering resistance treatment
- Interlocking decorative side profile in PC (polycarbonate)
- Reinforced thermoplastic and painted front closure cap
- A2 stainless steel screws
- Conforms to regional laws against light pollution
- Anodized aluminium heat sink
- Driver IP67 included
- N°12 LED's powered at 500mA and PCB in IMS

Optics and Lens

- Pedestrian optics
- Non yellowing, transparent PMMA (acrylic) lens

Housing

- Anodised and painted extruded aluminium housing

Flange (Edge Bollard 90°)

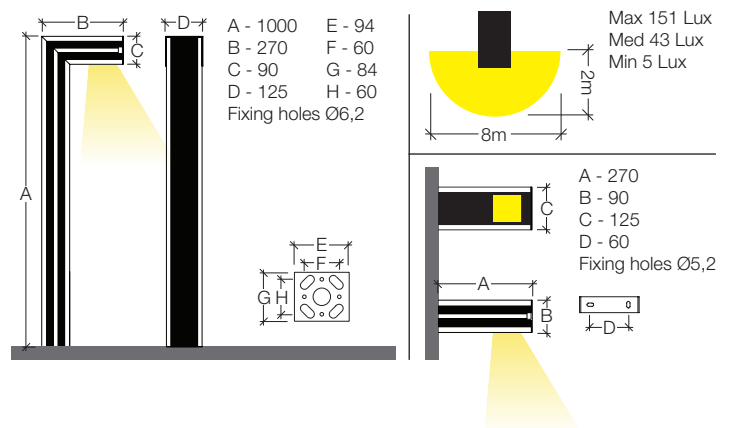
- Cold galvanised steel 75µm UNI EN 1461 flange 94x84x68mm for plinth/floor fixing

Wall fixing bracket (Edge wall 90°)

- Wall fixing bracket 94x25x30mm in hot-dip galvanized steel 75µm UNI EN 1461

Optional accessories (to be ordered separately - Edge Bollard 90°)

- Anchor bolts M12x200mm in hot galvanized steel 75µm UNI EN 1461 for plinth fixing



Edge Wall 90°

K/Power	Rust	Metallic grey RAL 9006	Anthracite RAL 7016 textured	
4000K - 10,9W	0171.182J	0171.182M	0171.182S	1
3000K - 10,9W	0171.184J	0171.184M	0171.184S	1

Edge Bollard 90°

4000K - 10,9W	1077.182J	1077.182M	1077.182S	1
3000K - 10,9W	1077.184J	1077.184M	1077.184S	1




Optional accessory (bollard)

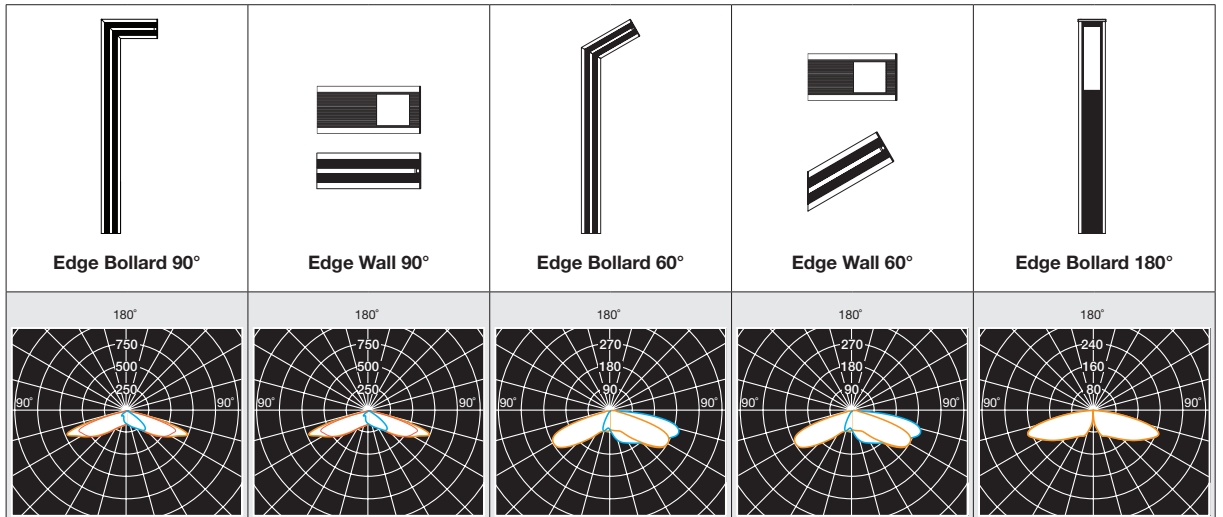
Optional accessory (bollard)	Code	
Anchor bolts kit plinth fixing M12x200mm	4000.005W	1



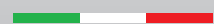
OUTDOOR RESIDENTIAL
LUMINAIRE



		
		
Rust	Metallic grey RAL 9006	Anthracite RAL 7016 textured



Wall installation		--	✓	--	✓	--	✓	--	✓	--	
Ground installation		✓	--	✓	--	✓	--	✓	--	✓	
Complying ECC standards		✓	✓	✓	✓	✓	✓	✓	✓	✓	
Insulation class		□	□	□	□	□	□	□	□	□	
Voltage		90-264V 50/60Hz		90-264V 50/60Hz		90-264V 50/60Hz		90-264V 50/60Hz		90-264V 50/60Hz	
Step MacAdam		3		3		3		3		3	
CUT-OFF		✓	✓	--	--	--	--	--	--	--	
Life time		L90/B50>54Kh-Tc 105°C		L90/B50>54Kh-Tc 105°C		L90/B50>54Kh-Tc 105°C		L90/B50>54Kh-Tc 105°C		L90/B50>54Kh-Tc 105°C	
Colour temperature											
Luminaire output		10,9W 1137 lm	10,9W 1220 lm	10,9W 1137 lm	10,9W 1220 lm	10,9W 1137 lm	10,9W 1220 lm	10,9W 1137 lm	10,9W 1220 lm	14,4W 814 lm	14,4W 871 lm
Beams/Optics		Pedestrian optics		Pedestrian optics		Pedestrian optics		Pedestrian optics		Round symmetric optics	
IP (Protection degree)		IP65		IP65		IP65		IP65		IP65	
IK (Impact resistance)		IK08		IK08		IK08		IK08		IK08	
Year warranty		✓		✓		✓		✓		✓	
Photobiological risk		✓		✓		✓		✓		✓	
Pre-wired with:		20cm cable H05RN-F 2x0,75mm²		80cm cable H05RN-F 2x0,75mm²		20cm cable H05RN-F 2x0,75mm²		80cm cable H05RN-F 2x0,75mm²		20cm cable H05RN-F 2x0,75mm²	
CRI		≥80		≥80		≥80		≥80		≥80	
Connector IP68 CS093000 (linear) and CS093001 ("T"-3 ways) not included											
		The "T"-3 ways and linear IP68 connector can be placed inside the luminaire		The "T"-3 ways and linear IP68 connector can be placed inside the luminaire		The "T"-3 ways and linear IP68 connector can be placed inside the luminaire		The "T"-3 ways and linear IP68 connector can be placed inside the luminaire		The "T"-3 ways and linear IP68 connector can be placed inside the luminaire	



Technical details

OUTDOOR RESIDENTIAL
LUMINAIRE