

Edge Bollard 180°

Technical details

- Led's luminaire 1000mm high rectangular shaped 125x90mm complete with flange for plinth/floor installation
- Polyester powder coating after specific weathering resistance treatment
- Interlocking decorative side profile in PC (polycarbonate)
- Reinforced thermoplastic and painted front closure cap
- A2 stainless steel screws
- Conforms to regional laws against light pollution
- Anodized aluminium heat sink
- Slot H300x80mm
- Driver IP67 included
- N°24 LED's powered at 500mA and PCB in IMS

Optics and Lens

- Round symmetrical optics
- Non yellowing, transparent PMMA (acrylic) lens

Housing

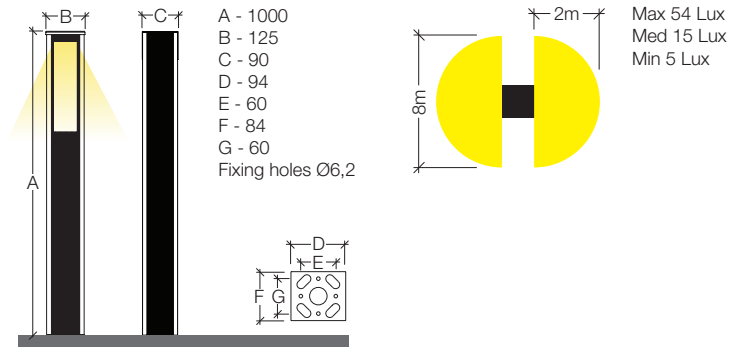
- Anodised and painted extruded aluminium housing

Flange

- Cold galvanised steel 75µm UNI EN 1461 flange 94x84x68mm for plinth/floor fixing

Optional accessories (to be ordered separately)

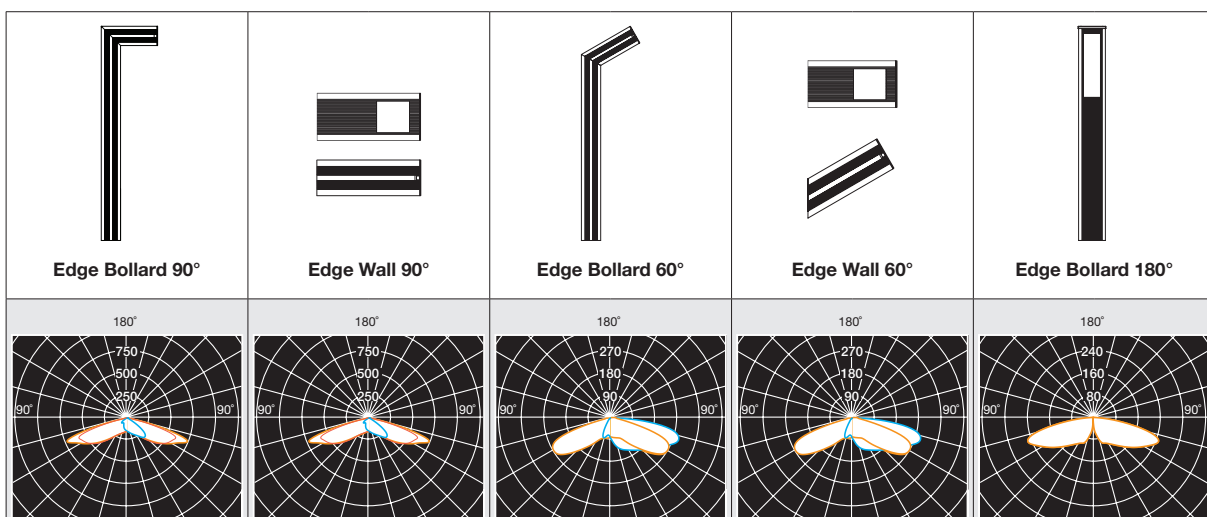
- Anchor bolts M12x200mm in hot galvanized steel 75µm UNI EN 1461 for plinth fixing



K/Power	Rust	Metallic grey RAL 9006	Anthracite RAL 7016 textured	
● 4000K - 14,4W	1079.182J	1079.182M	1079.182S	1
● 3000K - 14,4W	1079.184J	1079.184M	1079.184S	1
Optional accessory			Code	
Anchor bolts kit plinth fixing M12x200mm			4000.005W	1



		
Rust	Metallic grey RAL 9006	Anthracite RAL 7016 textured



Wall installation		--	✓	--	✓	--	✓	--	✓	--	
Ground installation		✓	--	✓	--	✓	--	✓	--	✓	
Complying ECC standards		✓	✓	✓	✓	✓	✓	✓	✓	✓	
Insulation class		□	□	□	□	□	□	□	□	□	
Voltage		90-264V 50/60Hz		90-264V 50/60Hz		90-264V 50/60Hz		90-264V 50/60Hz		90-264V 50/60Hz	
Step MacAdam		3		3		3		3		3	
CUT-OFF		✓	✓	--	--	--	--	--	--	--	
Life time		L90/B50>54Kh-Tc 105°C		L90/B50>54Kh-Tc 105°C		L90/B50>54Kh-Tc 105°C		L90/B50>54Kh-Tc 105°C		L90/B50>54Kh-Tc 105°C	
Colour temperature											
Luminaire output		10,9W 1137 lm	10,9W 1220 lm	10,9W 1137 lm	10,9W 1220 lm	10,9W 1137 lm	10,9W 1220 lm	10,9W 1137 lm	10,9W 1220 lm	14,4W 814 lm	14,4W 871 lm
Beams/Optics		Pedestrian optics		Pedestrian optics		Pedestrian optics		Pedestrian optics		Round symmetric optics	
IP (Protection degree)		IP65		IP65		IP65		IP65		IP65	
IK (Impact resistance)		IK08		IK08		IK08		IK08		IK08	
Year warranty		✓		✓		✓		✓		✓	
Photobiological risk		✓		✓		✓		✓		✓	
Pre-wired with:		20cm cable H05RN-F 2x0,75mm²		80cm cable H05RN-F 2x0,75mm²		20cm cable H05RN-F 2x0,75mm²		80cm cable H05RN-F 2x0,75mm²		20cm cable H05RN-F 2x0,75mm²	
CRI		≥80		≥80		≥80		≥80		≥80	
Connector IP68 CS093000 (linear) and CS093001 ("T"-3 ways) not included											
		The "T"-3 ways and linear IP68 connector can be placed inside the luminaire		The "T"-3 ways and linear IP68 connector can be placed inside the luminaire		The "T"-3 ways and linear IP68 connector can be placed inside the luminaire		The "T"-3 ways and linear IP68 connector can be placed inside the luminaire		The "T"-3 ways and linear IP68 connector can be placed inside the luminaire	

Technical details

OUTDOOR RESIDENTIAL
LUMINAIRE